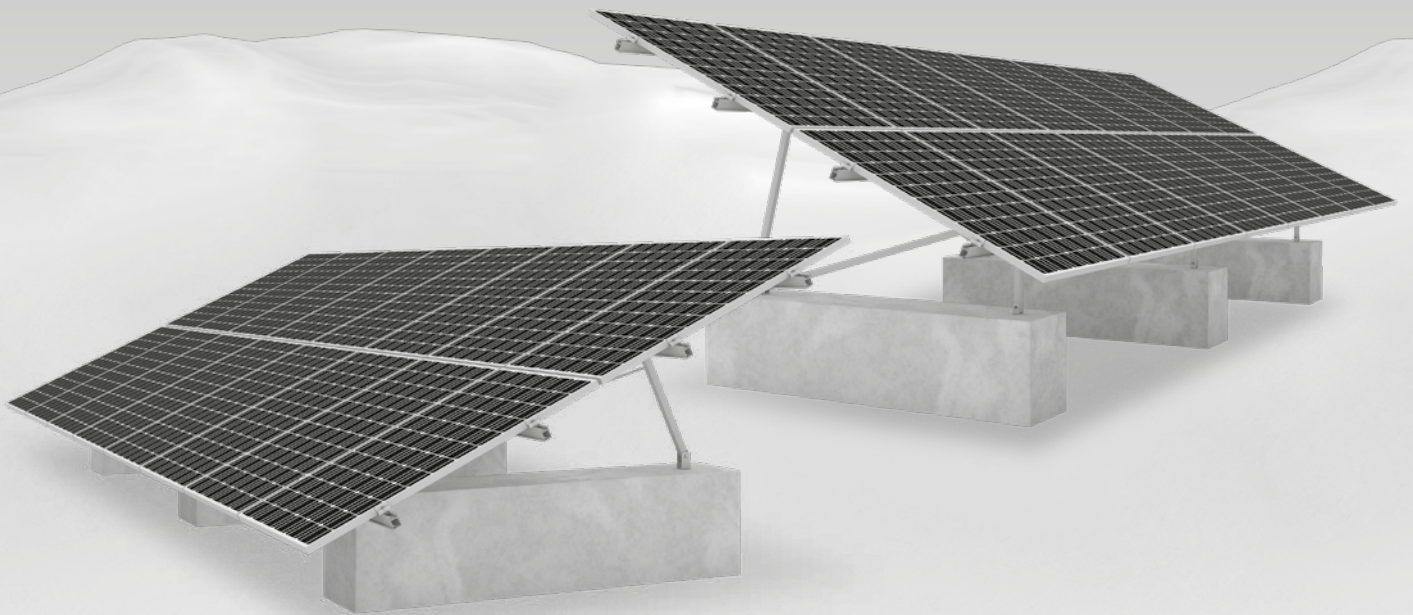


## Ground mounted systems

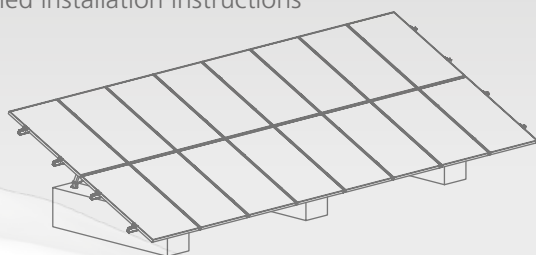


# A-Rack and P-Rack System

## Solution for quick small installations

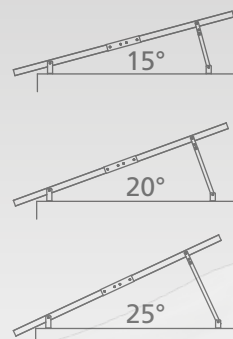
### 16 modules

- ▶ No planning required
- ▶ Suitable for most ground and module types
- ▶ Complete ready-to-assemble system with detailed installation instructions



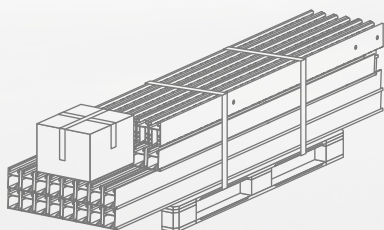
### 15°, 20° and 25° elevations

- ▶ Various elevations allow flexible use by cutting support strut
- ▶ P-Rack: With increased elevation for storage space



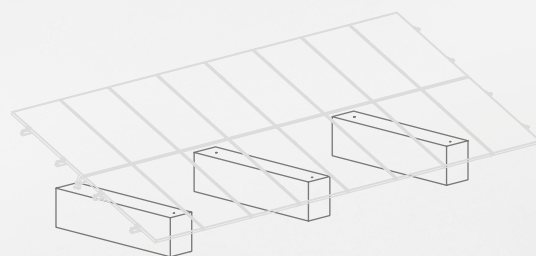
### Complete ready-to-ship assembly kits

- ▶ All components in one package
- ▶ Suitable for pickup vehicle transport
- ▶ Maximum rail length 1.9 m
- ▶ A-Rack: 84 kg
- ▶ P-Rack: 93 kg



### Own foundations

- ▶ Foundation constructed on-site
- ▶ With detailed reinforcement plan

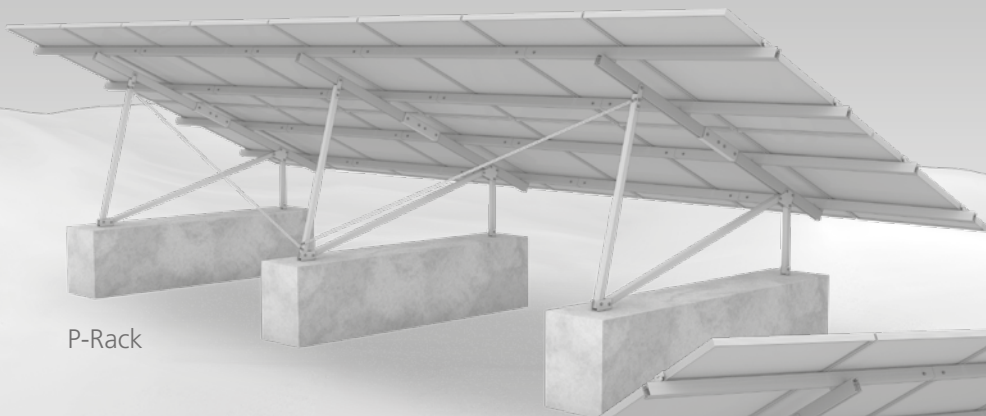


**Our A- and P-Rack ground mounted systems are the ideal solution for small installations and off-grid projects that need to be built quickly and efficiently. Ready-to-assemble systems are equipped with all the necessary components.**

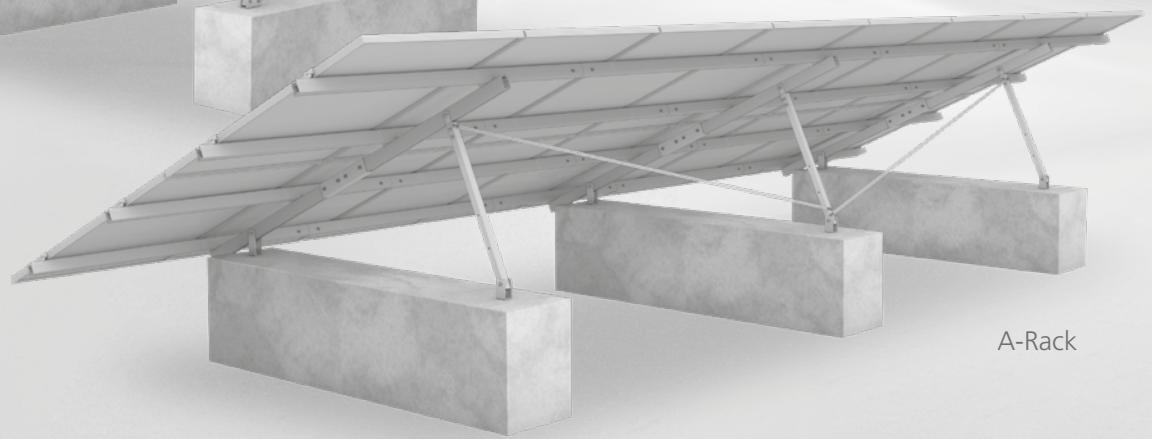
Both systems are suitable for standard modules. They can be mounted with 15°, 20° or 25° elevations. The support beam must only be shortened for modules with 15° and 20° elevations. Mounting holes are provided for all elevations.

All necessary connectors, small components, as well as universal module clamps are included.

For  
16 modules  
Stock item now  
available!



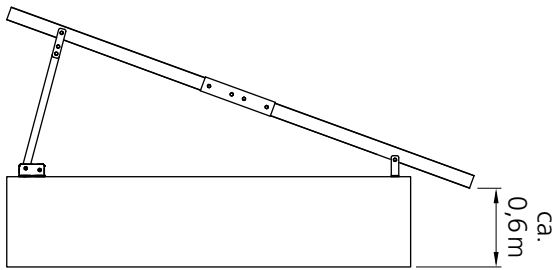
P-Rack



A-Rack

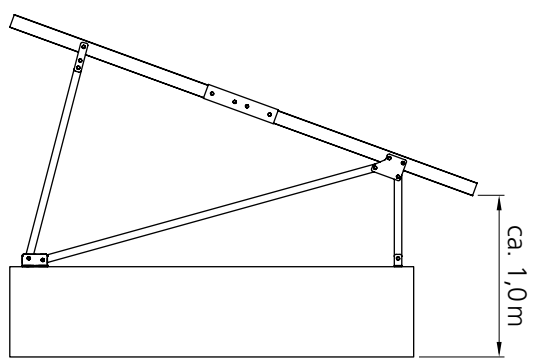
### A-Rack

15°, 20° + 25°



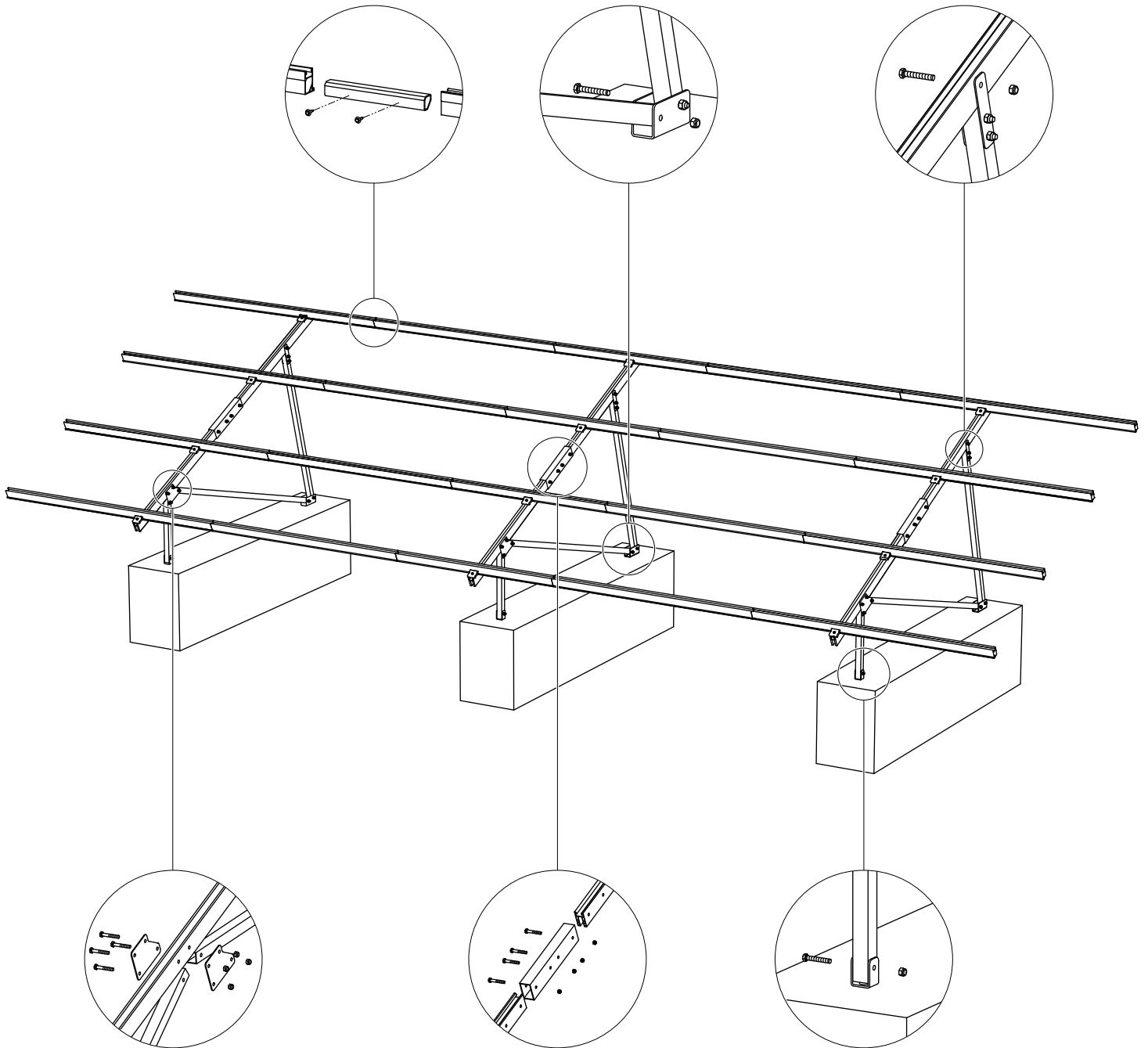
### P-Rack

15°, 20° + 25°



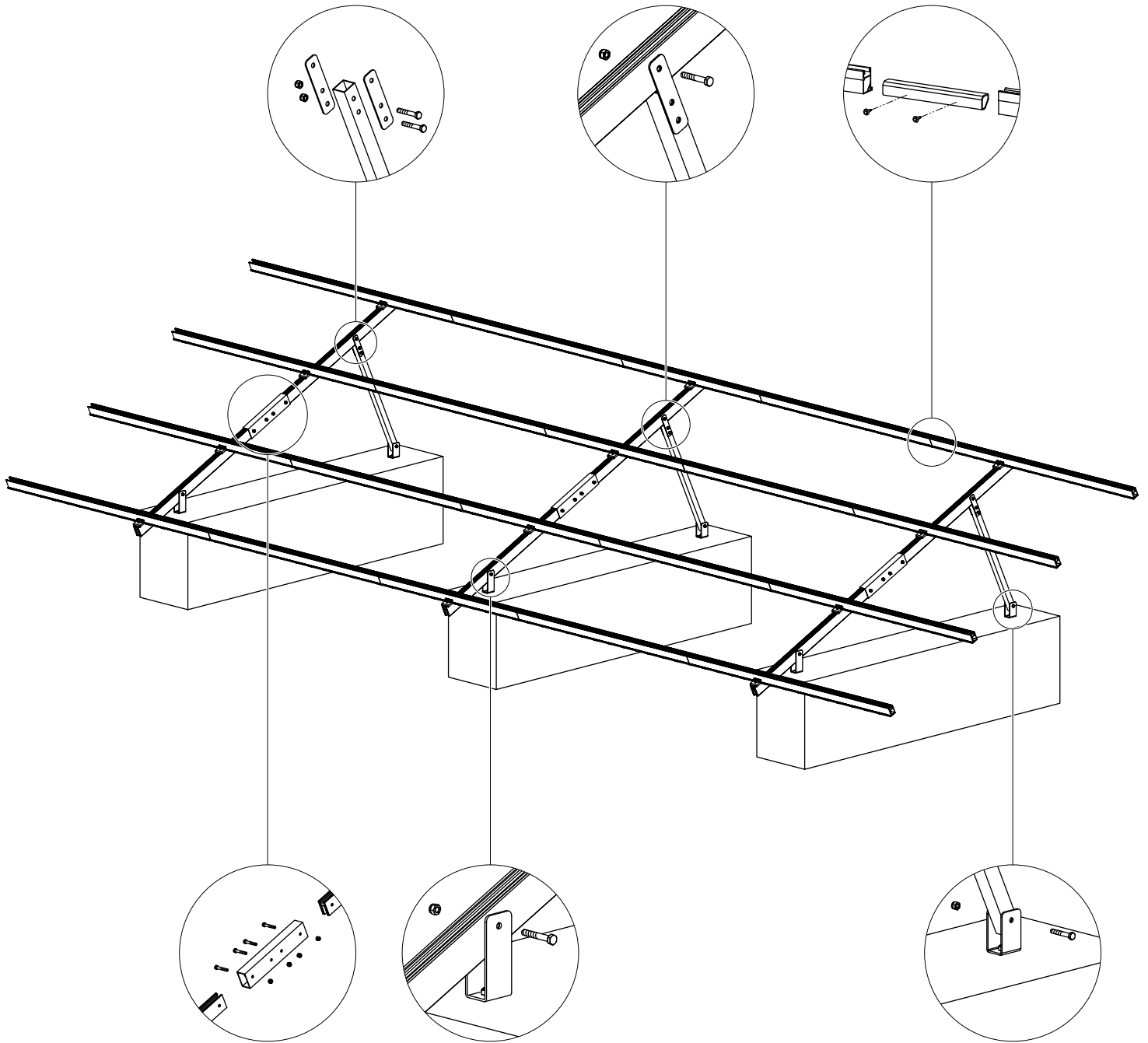
# User-friendly installation

## P-Rack System



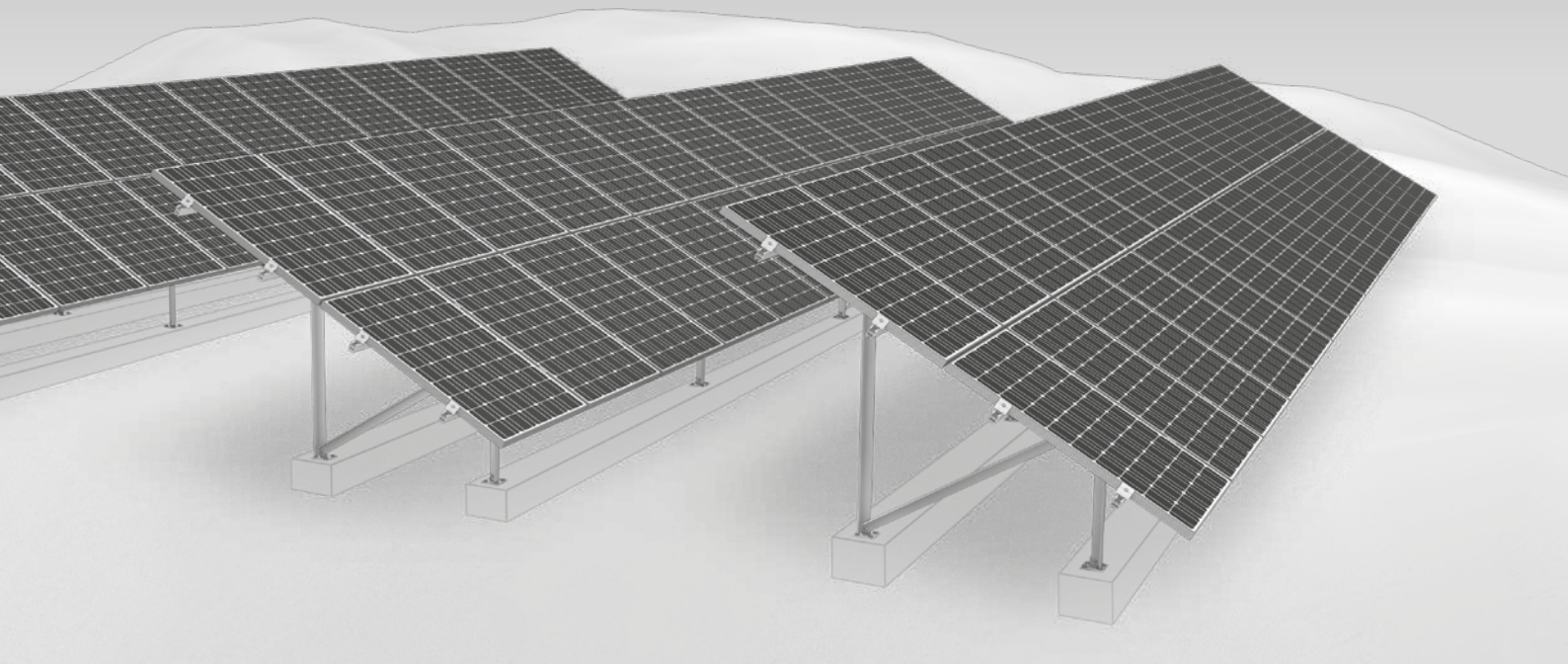
The necessary concrete foundations should be constructed on-site with a detailed reinforcement plan. Commercially available concrete products can be used for this purpose.

# A-Rack System

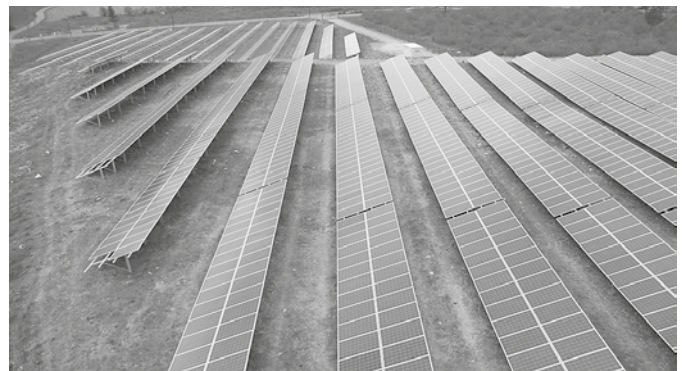
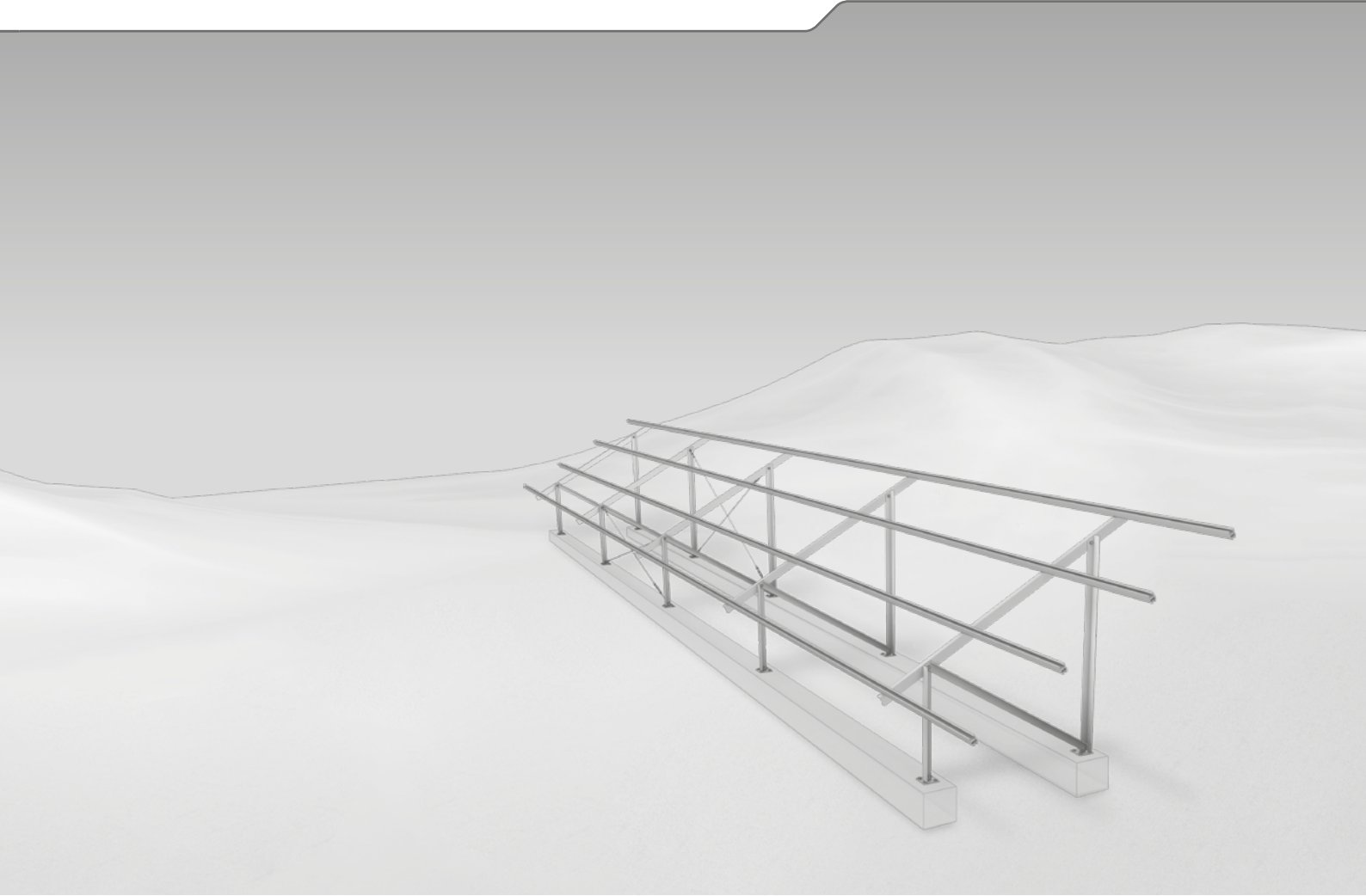


# N-Rack System

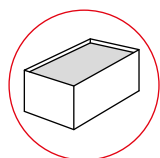
Medium-sized installations with concrete foundations



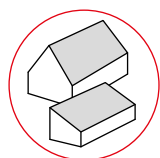
- ▶ Proven individual planning and statics for each system
- ▶ Statically calculated for different European countries – according to Eurocode 9
- ▶ Suitable for challenging gradient ground conditions



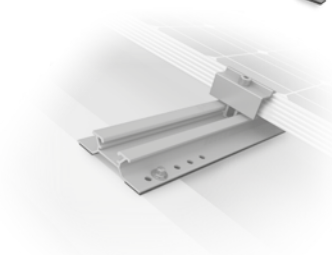
## Additional K2 applications



▶ Flat roof systems



▶ Pitched roof systems



### **K2 Systems GmbH**

Industriestraße 18  
71272 Renningen  
Germany

Tel. +49 (0) 7159-42059-0  
Fax +49 (0) 7159-42059-177

[info@k2-systems.com](mailto:info@k2-systems.com)  
[www.k2-systems.com](http://www.k2-systems.com)